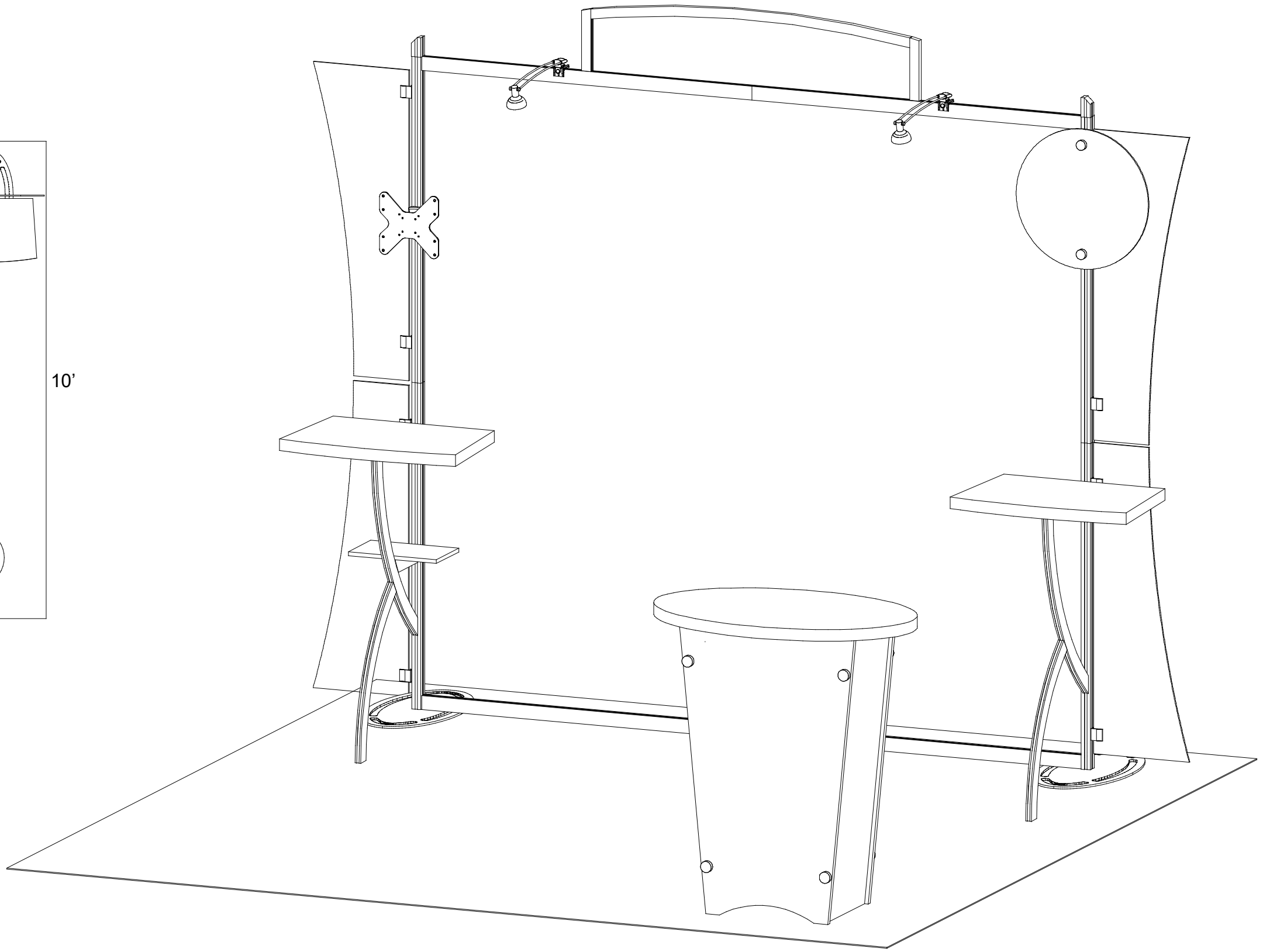


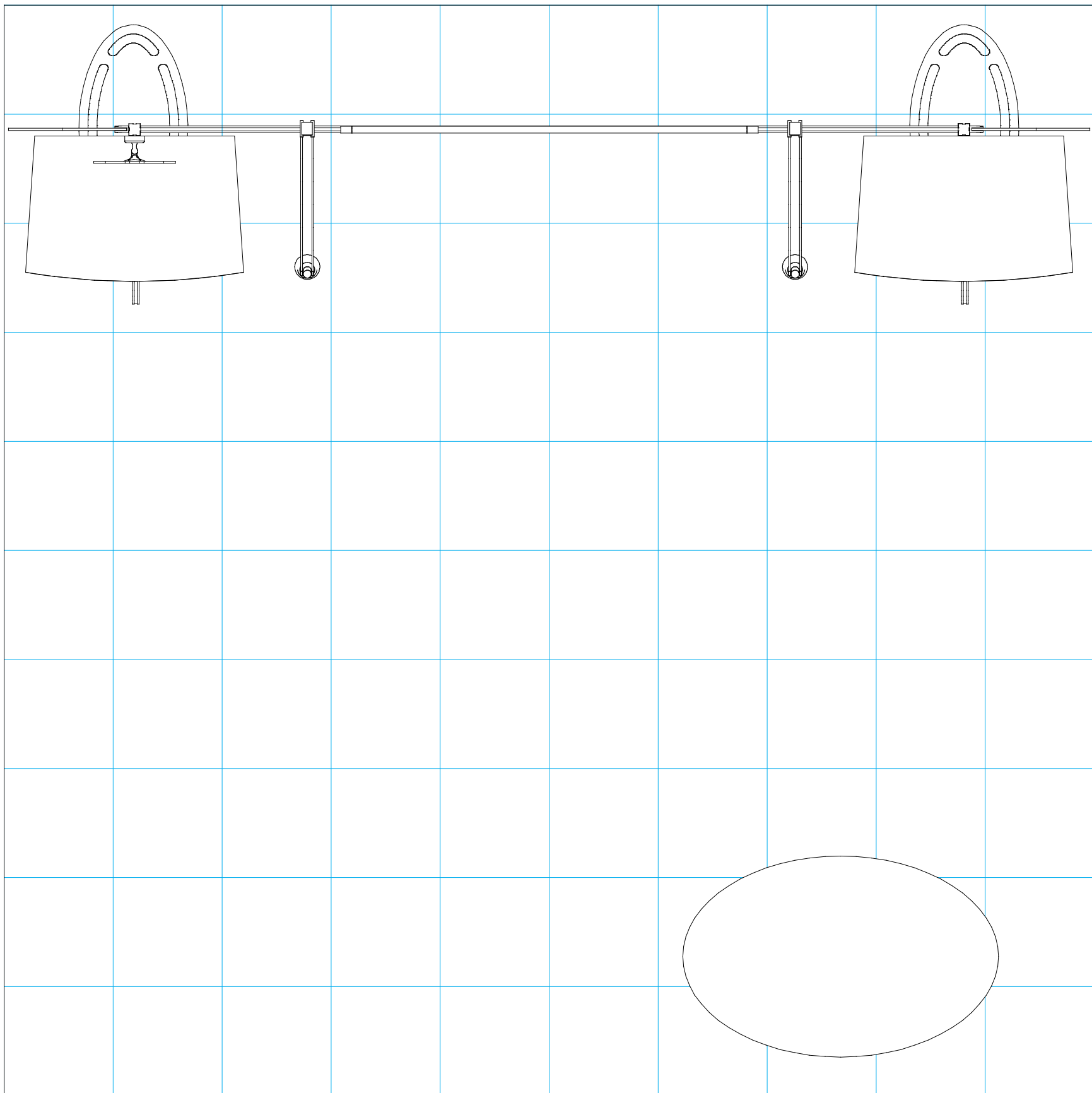
Plan View

10'

10'



SETUP INSTRUCTIONS



= 1 sq foot

General Setup Instructions

- Read entire setup instruction manual prior to unpacking parts and pieces.
- The setup instructions are created specifically for this configuration.
- Setup instructions are laid out sequentially in steps, including exploded views with detailed explanation for assembly.

Cleaning & Packing

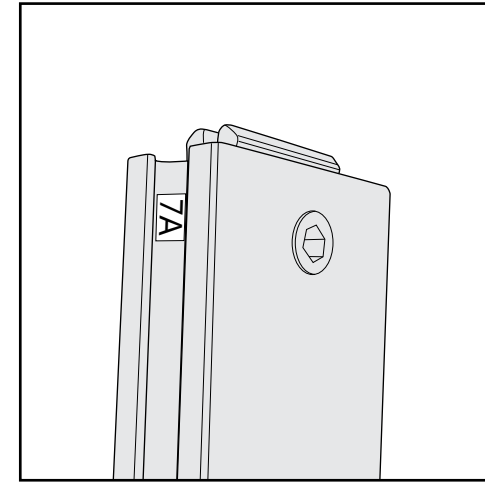
- For Cleaning Metal, Plex, & Laminate Parts: Use a **MILD NON-ABRASIVE** cleanser and soft cloth/paper towel to clean all surfaces.
- Keep exhibit components away from heat and prolonged sun exposure. **Heat and UV exposure will warp and fade components.**
- Retain all provided Packing Materials. All provided packing materials are for ease of repacking & component protection.

Disassembly

- For loss prevention, tighten all set screws and locks during disassembly.



Hex Tool - Essential for Assembly



Part Identification - Numbering



Spline Connection



Base Plate & Extrusion Connection



Extrusion & Lock Connection



Engaged Lock



WARNING



DO NOT USE POWER TOOLS



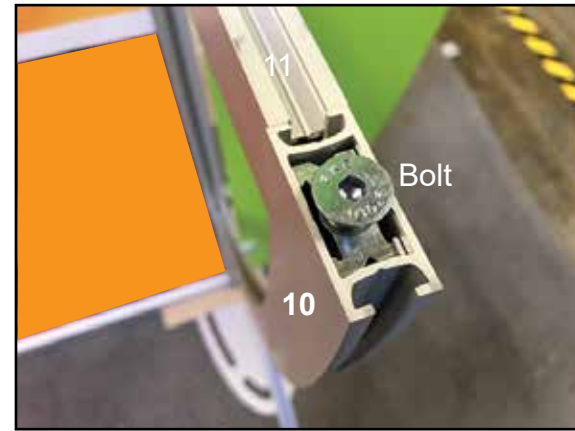
LADDERS OR LIFTS
MAY BE REQUIRED



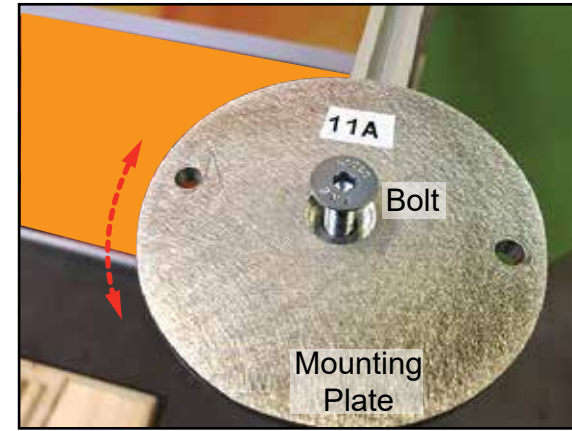
ALL CONNECTIONS MUST
BE TIGHTLY SECURED



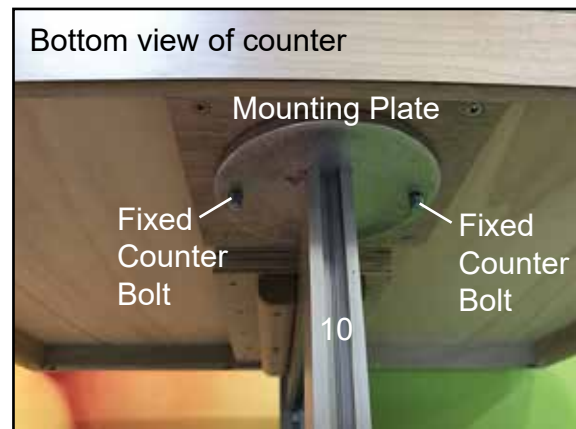
1) Mounting plate & wing nuts, in packed position.



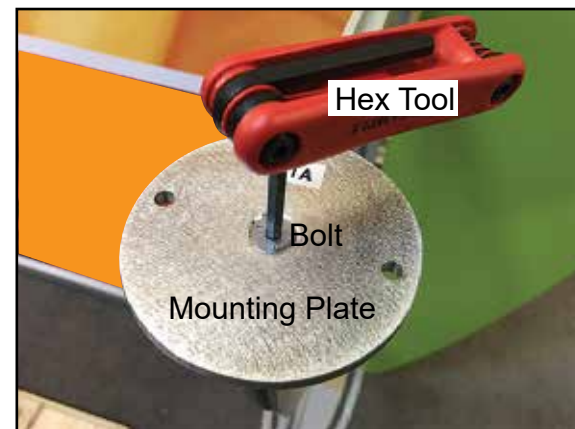
2) Mounting plate bolt in, packed position.



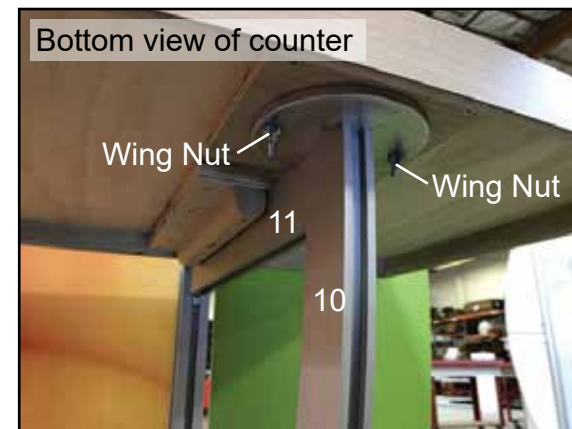
3) Place mounting plate onto [10] then tighten bolt, part way, allowing some rotation for final positioning.



4) Place fixed counter bolts into mounting plate, then lift counter to re-tighten bolt.

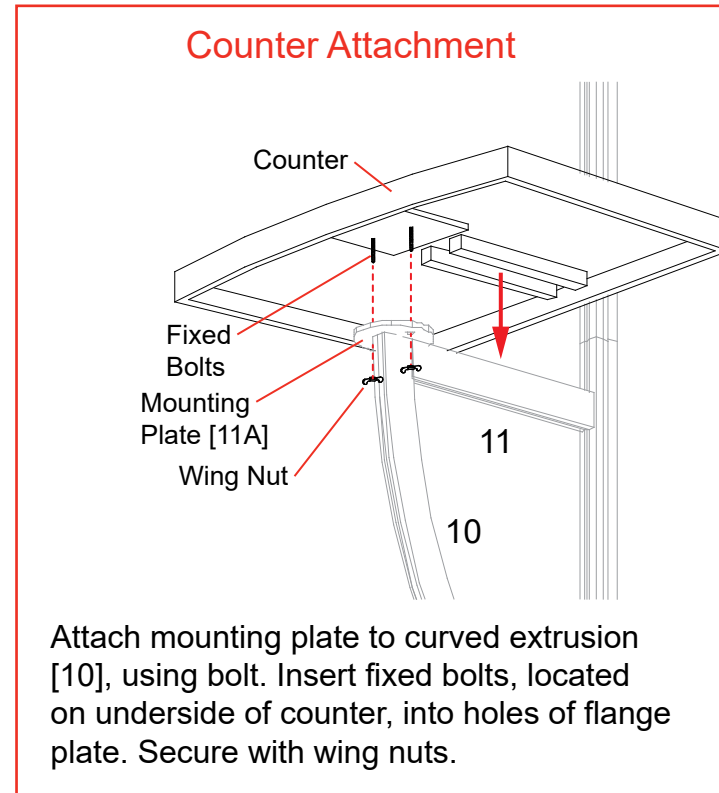


5) Tighten bolt, using hex tool, to secure.



6) Place fixed counter bolts into mounting plate, then secure using wing nuts.

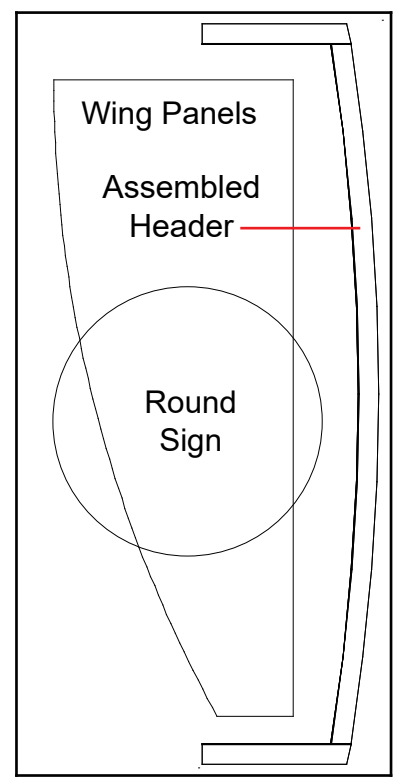
Completed Assembly



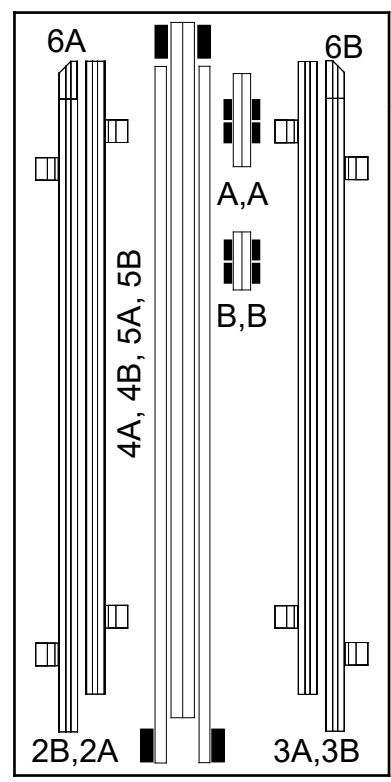
Keep mounting plate [11A] and wing nuts attached to counter, when packing.

Keep bolt attached to [10], when packing.

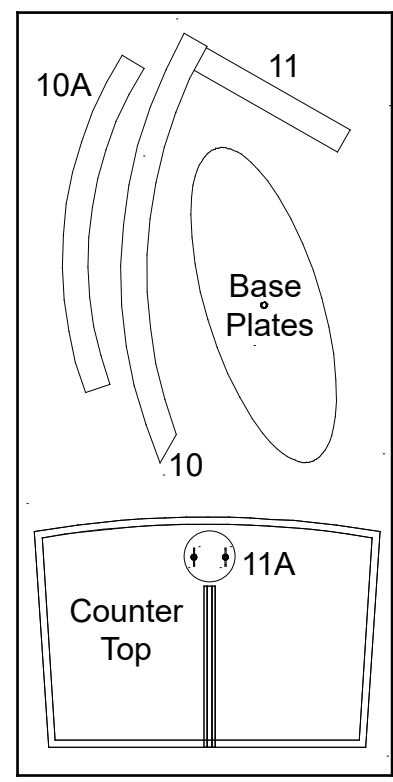
Top View of Each Level



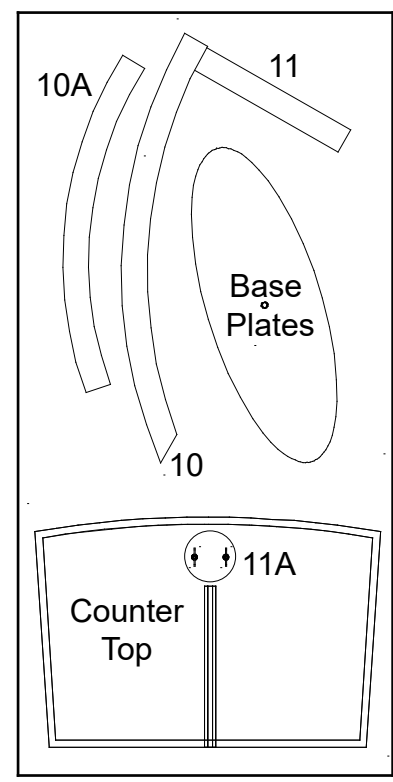
Level 1 (Bottom Level)



Level 2



Level 3



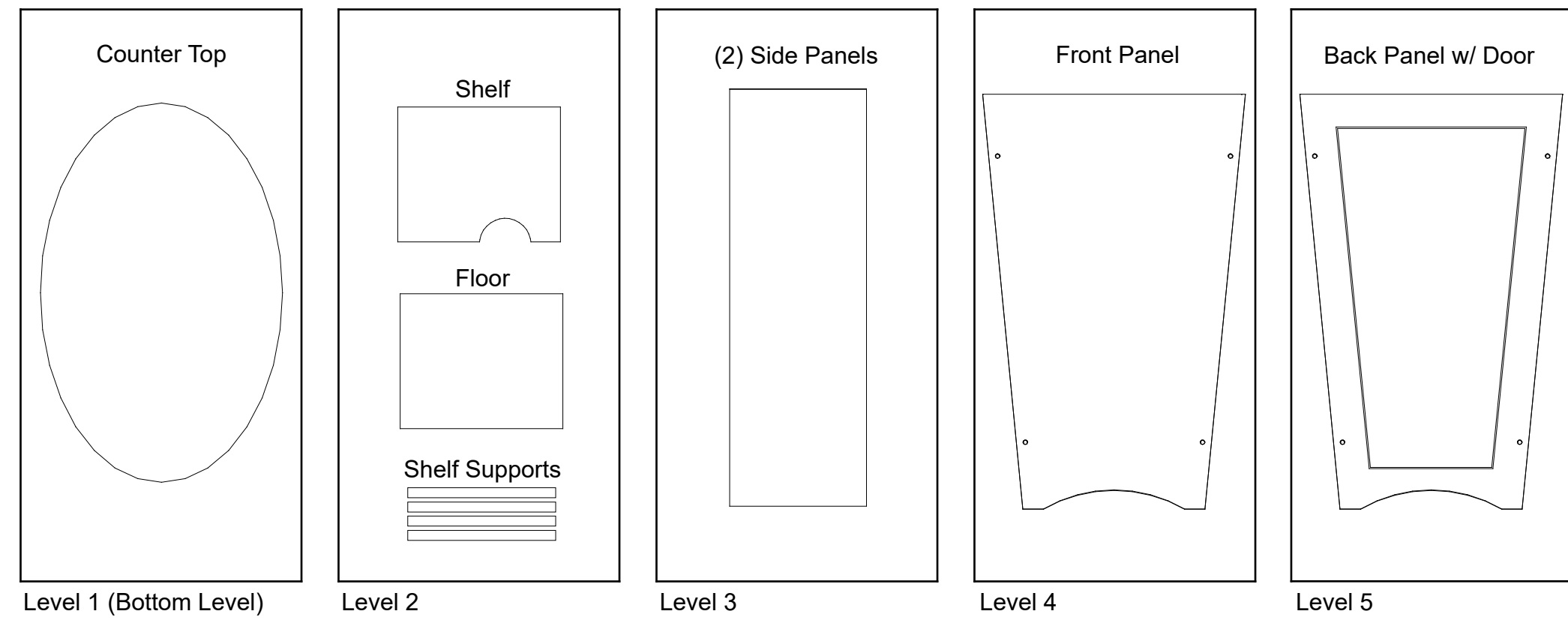
Level 4

Lights

Graphics

Setup Hardware
Monitor Mount
Shelf

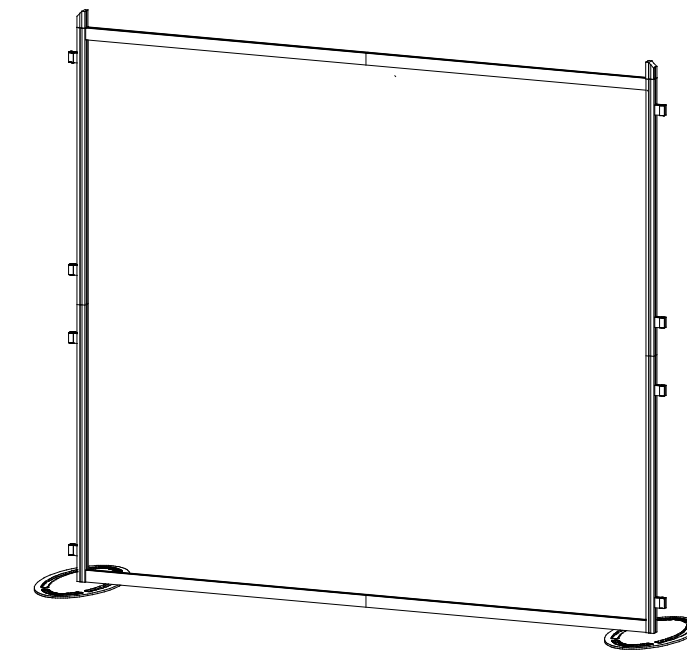
Top View of Each Level



Item	Qty.	Description
1	2	Base Plate
2A,2B	1,1	42" S40 Vertical Extrusion w/ A10 Clamps
3A,3B	1,1	42" S40 Vertical Extrusion w/ A10 Clamps
4A,4B	1,1	45" Z45 Horizontal Extrusion
5A,5B	1,1	45" Z45 Horizontal Extrusion
6A,6B	1,1	2.5" S40 Angle-Cut Vertical

Steps:

- 1) Attach base plates [1] lower verticals [2A] and [3A], using bolts.
- 2) Connect verticals [2A to 2B] and [3A to 3B], using connection bars [B].
See [Straight Connection with Knobs](#) detail.
- 3) Connect horizontals [4A to 4B] and [5A to 5B], using connection bars [A].
See [Straight Connection with Knobs](#) detail.
- 4) Connect assemblies [2A/2B] and [3A/3B] with assemblies [4A/4B] and [5A/5B].
See [Corner Connection with Knob](#) detail.
- 5) Connect extrusions [6A to 2B] and [6B to 3B].
See [2.5" h Angle-Cut Vertical Attachment](#) detail.
- 6) Attach graphic to Velcro on back of assembled Backwall.



When Assembled

Keep extrusions [6A,6B] attached to [2B,3B].

Keep A10 clamps attached to [2A,2B,3A,3B].

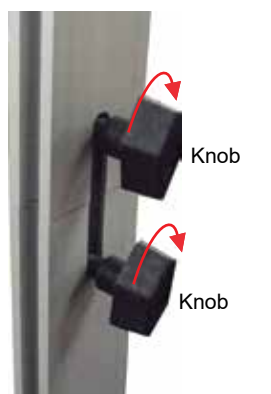
★ **Corner Connection with Knob**



Turn knob clockwise to tighten lock.

Do not over tighten Knobs

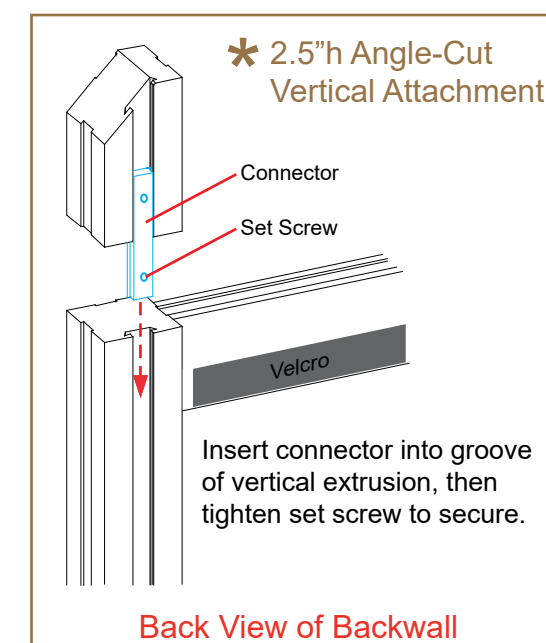
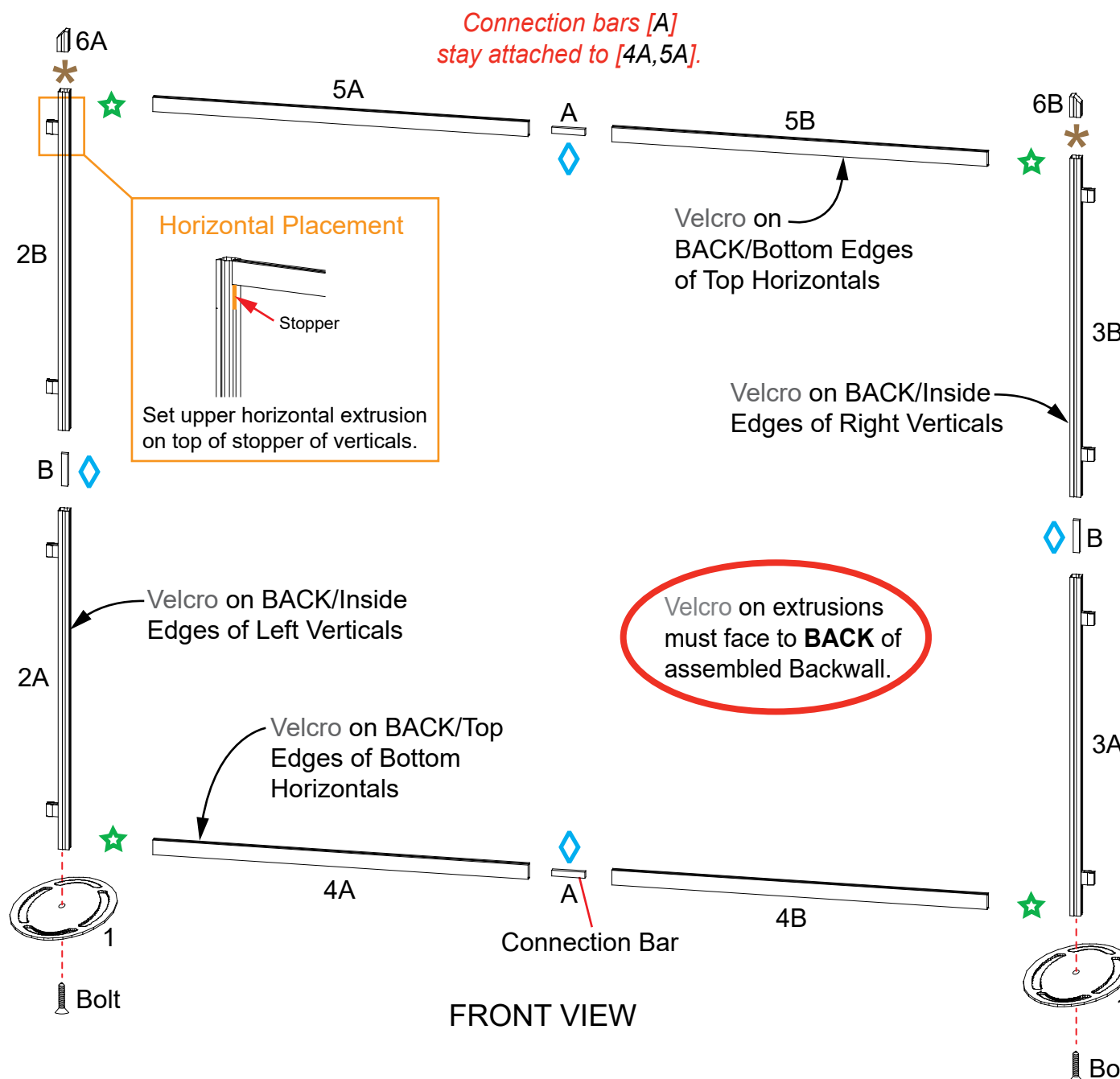
◆ **Straight Connection with Knobs**



Slide connection bar between extrusions, then turn knobs clockwise to tighten lock.

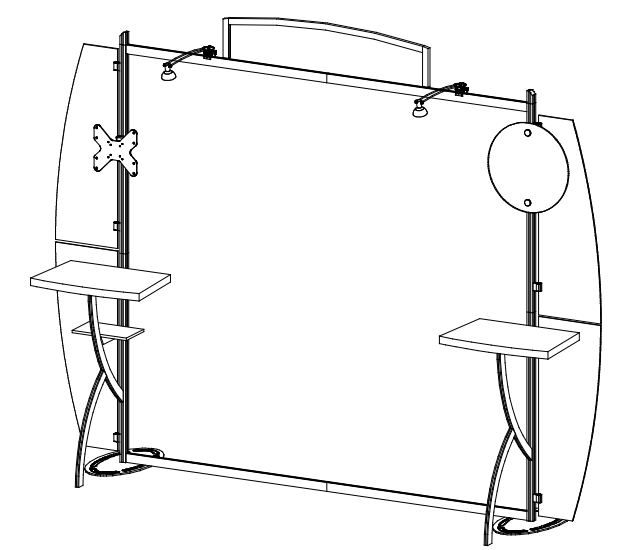
Do not over tighten Knobs

Connection bars [B] stay attached to [2A,3A].



- Steps:
- 1) Connect lights to top horizontal extrusions [5A/5B]. See **Light Connection** detail.
 - 2) Attach assembled Header Frame and affix graphic using Velcro.
 - 3) Attach extrusions [10/11] and shelf to verticals [2A] & [3A].
 - 4) Attach support legs [10A] to curved extrusions [10].
 - 5) Attach flange plates [11A] to top of curved extrusions [10], using bolts.
 - 6) Attach counter tops to counter mounting plates [11A]. See Counter Assembly page.
 - 7) Attach Wings to A10 clamps. See **Clamp Attachment** detail.
 - 8) Attach Monitor Mount to vertical [2B]. See **Monitor Mount Attachment** detail.
 - 9) Attach Sign to vertical extrusion [3B]. See **Sign Attachment** detail.

Item	Qty.	Description
7/8/9	1/1/1	Header Frame
10	2	30.2" Curved Extrusion
10A	2	Support Leg
11	2	12.184" Horizontal Extrusion
11A	2	Counter Mounting Plate



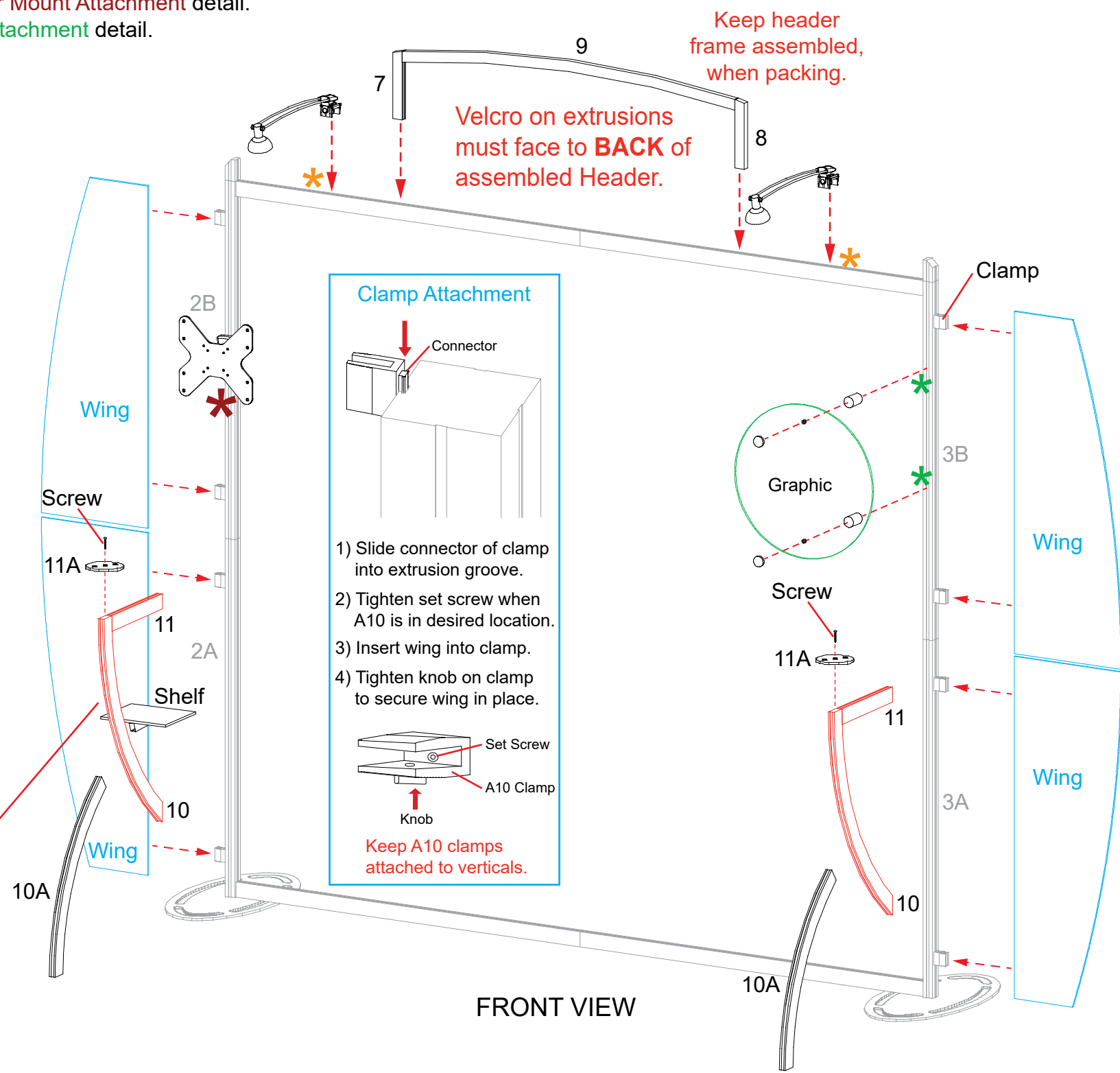
When assembled

*** Monitor Mount Attachment**

Slide V4 Connectors into groove of Extrusion. Tighten Set Screws to secure connectors in place.

Attach Monitor Mount back piece to Extrusion, using bolts.

Then slide monitor mount into back piece.



*** Light Connection**

Slide light onto clip then lock clip into groove of horizontal extrusion.

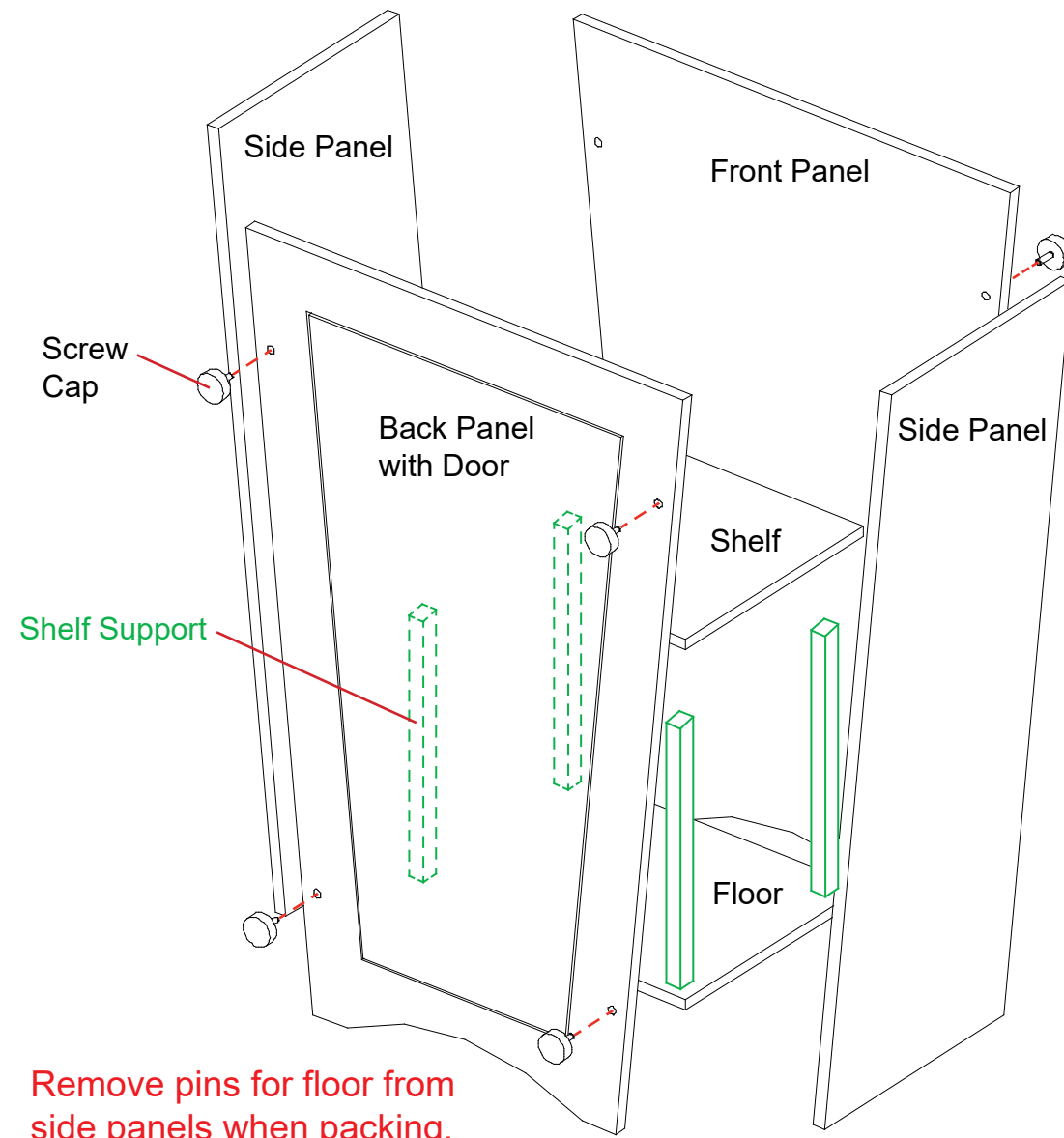
*** Sign Attachment**

Slide connector into groove of extrusion. Tighten set screws to secure in place. Screw standoff into connector. Place sign between standoff and cap then tighten cap to secure sign.

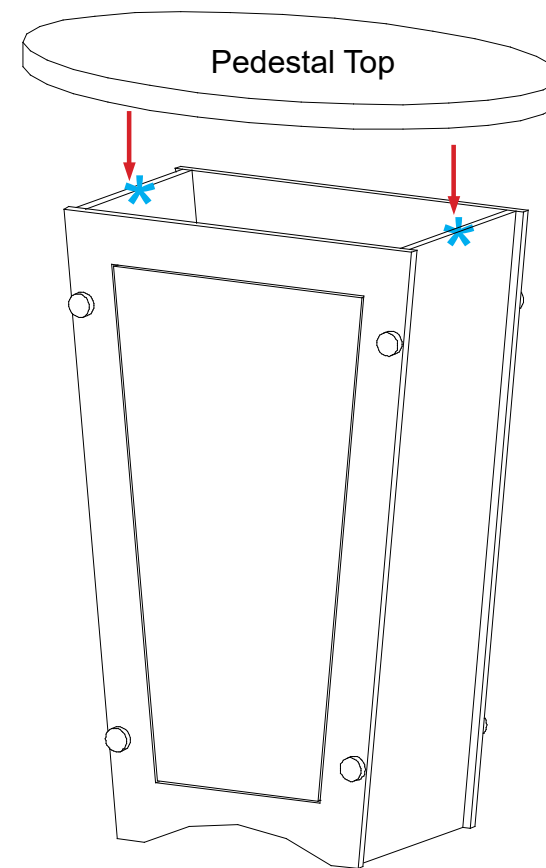
Keep curved extrusion [10] & horizontal [11] assembled.

Setup Instructions:

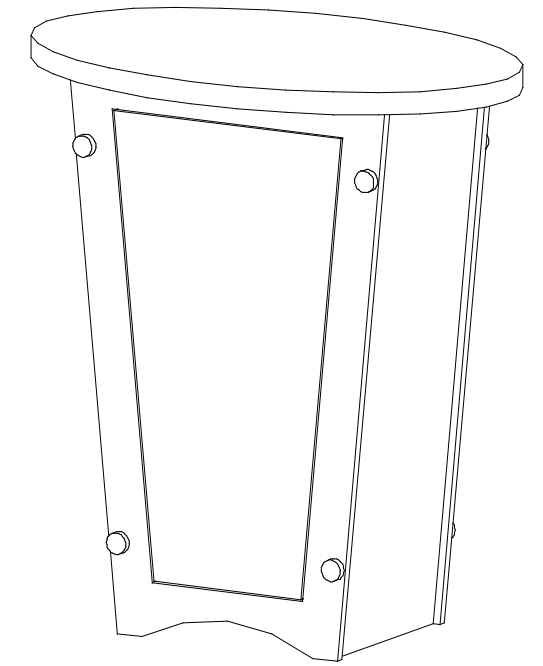
- 1) Attach pins at bottom interior of side panels. *Note: Pins are designed to be slightly angled.*
- 2) Use screw caps to secure the side panels to front panel and back panels, making sure Velcro is facing inward.
- 3) Slide floor into the bottom of assembled pedestal base. The floor will sit on pins of the side panels.
- 4) Connect shelf supports to Velcro on panels, then place shelf on top of supports.
- 5) Attach pedestal top to assembled pedestal base. See [Pedestal Top Attachment](#) detail.



Pedestal Base Assembly



Pedestal Top Attachment



Completed Pedestal Assembly

