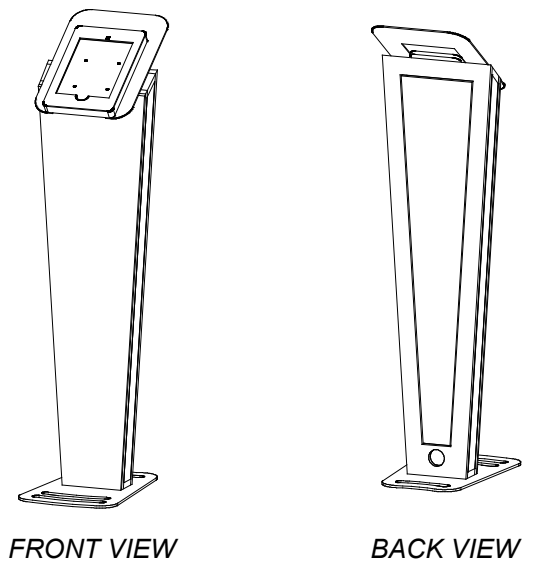


**Steps:**

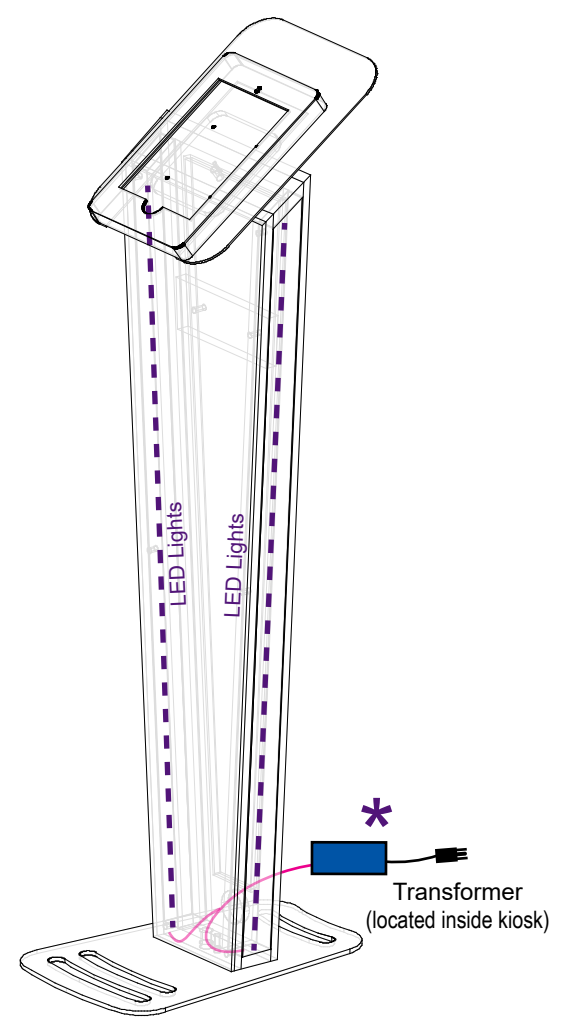
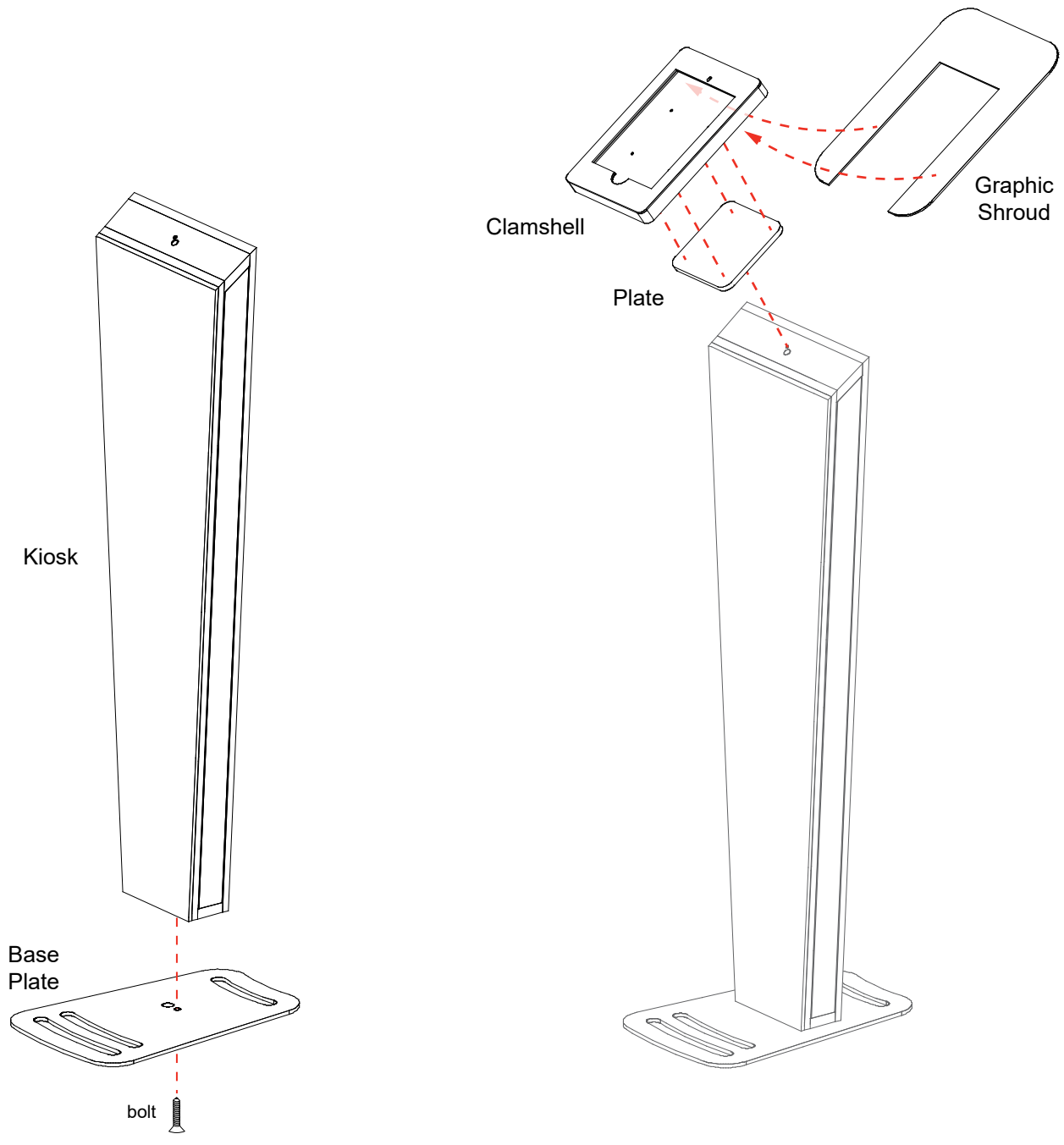
- 1) Install Base Plate to bottom of Kiosk, using bolts.
- 2) Attach iPad clamshell to top of Kiosk.
- 3) Affix graphic shroud using Velcro.
- 4) Connect power cords to RGB LED lights on sides of Kiosk.  
*See opposite page for RGB Remote Controller instructions.*

**\* RGB LED Power Cord Attachment**  
Connect transformer to RGB LED Controller. Then connect transformer to power source.

The diagram shows a power cord connected to a 'Transformer' box. A cable from the transformer goes to an 'LED Controller' box. Another cable from the LED controller goes to a strip of 'LED Lights'.



Completed Assembly



**Cord Management for iPad**

The diagram shows an iPad being inserted into a clamshell. A 'Cord Access' hole is shown at the bottom. A photo shows the iPad with its cord passing through the top hole of the post and exiting through the bottom hole.

Feed iPad cord through top hole of post, then out bottom hole of post. Connect to power.

**Optional Cover for Home Button**

The first photo shows 'Foam Lining Removed' from the inside of the clamshell. The second photo shows a 'Home Button Shield' attached to the inside of the clamshell.

- 1) Remove foam lining from inside bottom of clamshell.
- 2) Attach Home Button Shield with double-sided tape to inside of clamshell, keeping top of shield flush with clamshell opening.

*NOTE: This is a permanent fix and can't be easily removed.*

# SETUP INSTRUCTIONS

## General Setup Instructions

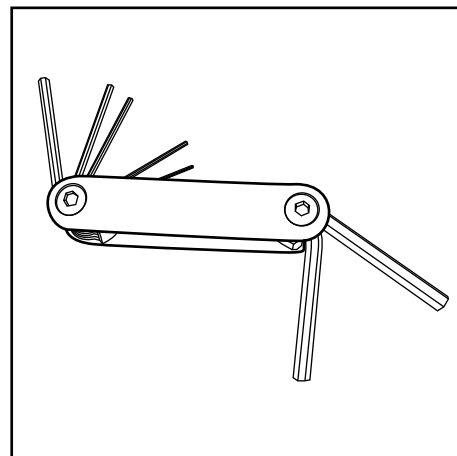
- Read entire setup instruction manual prior to unpacking parts and pieces.
- The setup instructions are created specifically for this configuration.
- Setup instructions are laid out sequentially in steps, including exploded views with detailed explanation for assembly.

## Cleaning & Packing

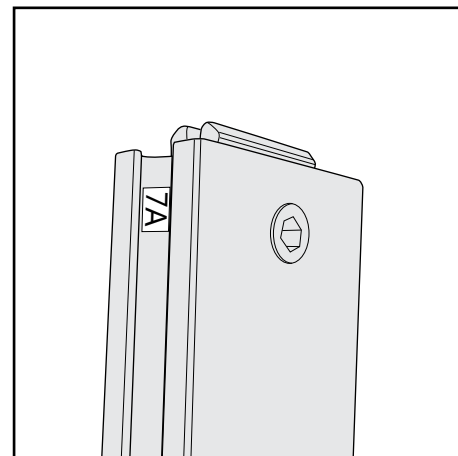
- For Cleaning Metal, Plex, & Laminate Parts: Use a **MILD NON-ABRASIVE** cleanser and soft cloth/paper towel to clean all surfaces.
- Keep exhibit components away from heat and prolonged sun exposure. **Heat and UV exposure will warp and fade components.**
- Retain all provided Packing Materials. All provided packing materials are for ease of repacking & component protection.

## Disassembly

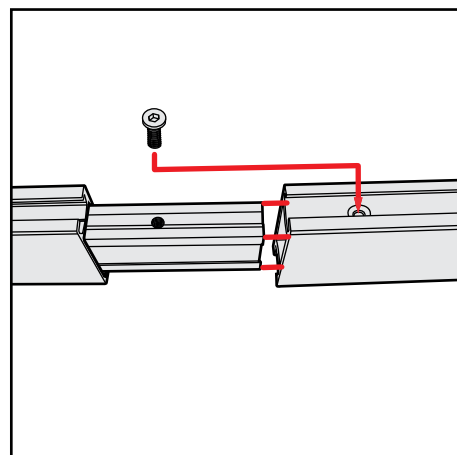
- For loss prevention, tighten all set screws and locks during disassembly.



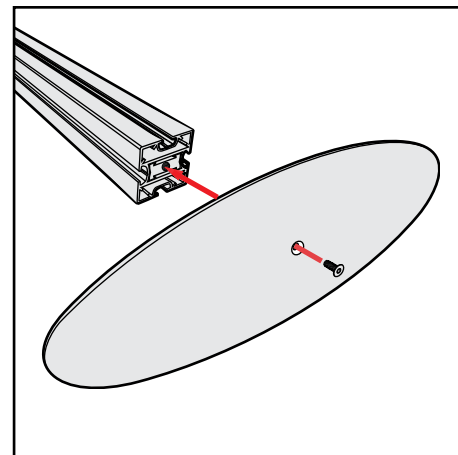
Hex Tool - Essential for Assembly



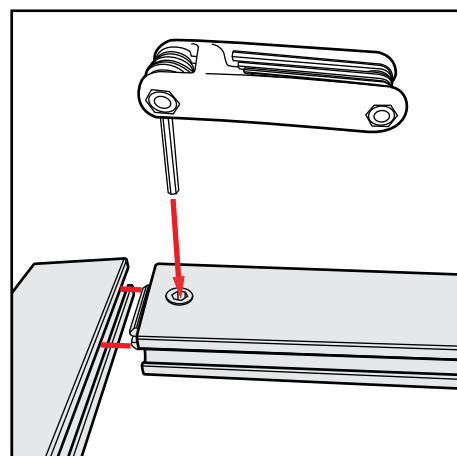
Part Identification - Numbering



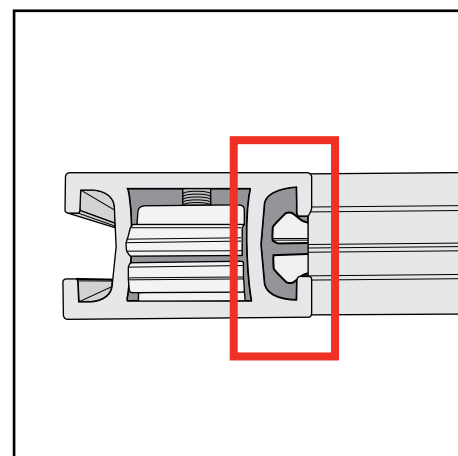
Spline Connection



Base Plate & Extrusion Connection



Extrusion & Lock Connection



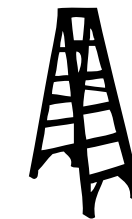
Engaged Lock



# WARNING



DO NOT USE POWER TOOLS



LADDERS OR LIFTS MAY BE REQUIRED



ALL CONNECTIONS MUST BE TIGHTLY SECURED

### Controlling the RGB LED lights

#### Static Mode:

1. Use the Color Ring key to select a color.
2. Saturation is controlled with W/R/G/B keys.
3. White mode is available by long-pressing 'ON' key.
4. Colors (not white) are dimmable with the Brightness key.

#### Dynamic Mode:

- Press "M" key to cycle through the following options:
1. White light fades in and out.
  2. Several colors fade in and out.
  3. R,G,B three colors fade in and out.
  4. R,G,B three colors flash.
  5. Six colors flash.
  6. Random color flashes.
  7. Red color fades in and flashes.
  8. Green color fades in and flashes.
  9. Blue color fades in and flashes.

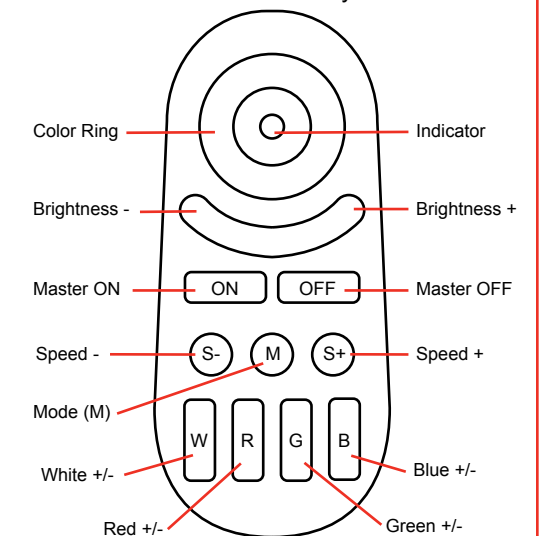
#### To Pair a Remote with Multiple Units:

1. Power on the lights.
2. Press 'ON' key within 3 seconds.
3. Lights will blink when link is made.

To unpair: Long press 'ON' key within 3 seconds after switching on lights.

Remotes can be paired with one or more receivers. Different receivers can work synchronously even when started at different times (within 30 min).

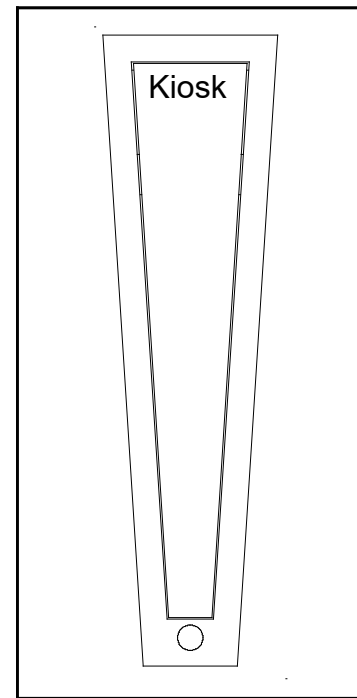
#### Function of Keys



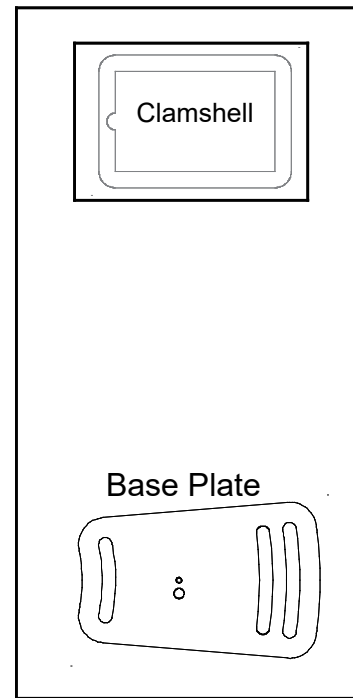
#### Specifications:

- |                               |                             |
|-------------------------------|-----------------------------|
| Receiver:                     | Remote Control:             |
| 1. Working voltage: DC12V/24V | 1. Working voltage: 3V      |
| 2. Output: Max. 6A/Channel    | 2. Standby power: <20uA     |
| Total output Max. 10A         | 3. Transmitting power: 6dBm |
| 3. Max standby power: 0.5W    |                             |

### Top View of Each Level



Level 1  
*(Bottom level)*



Level 2

